

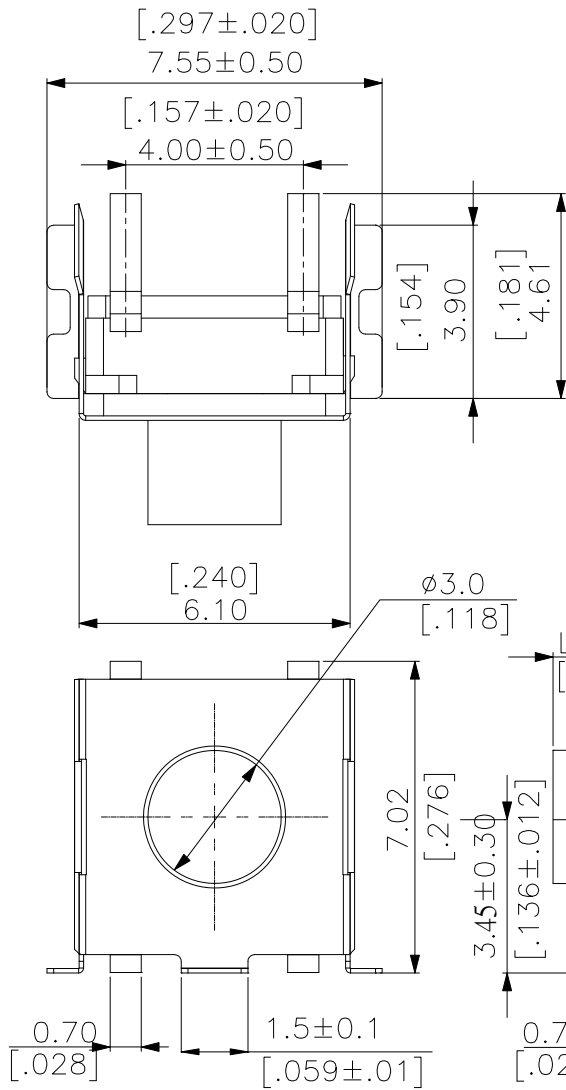


TA(S)-6 SERIES

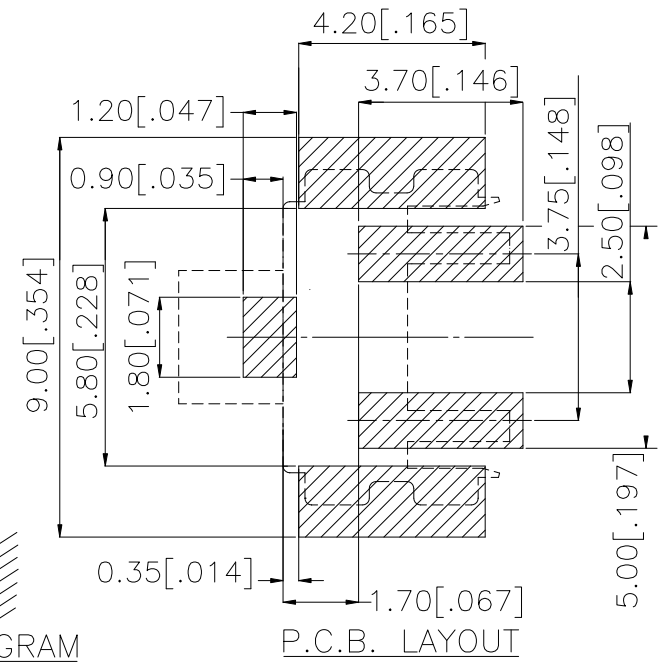
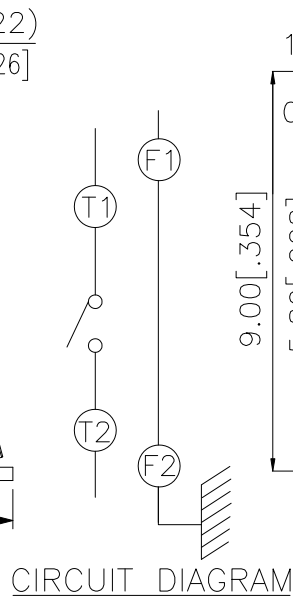
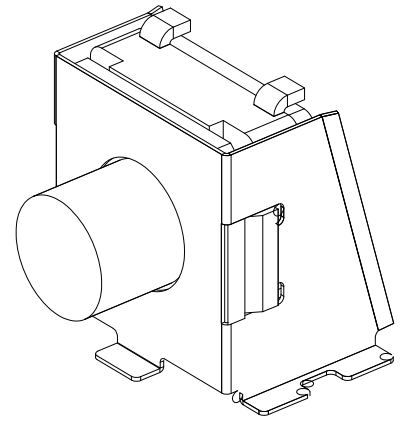


**DIMENSIONS**

**TAS-6**

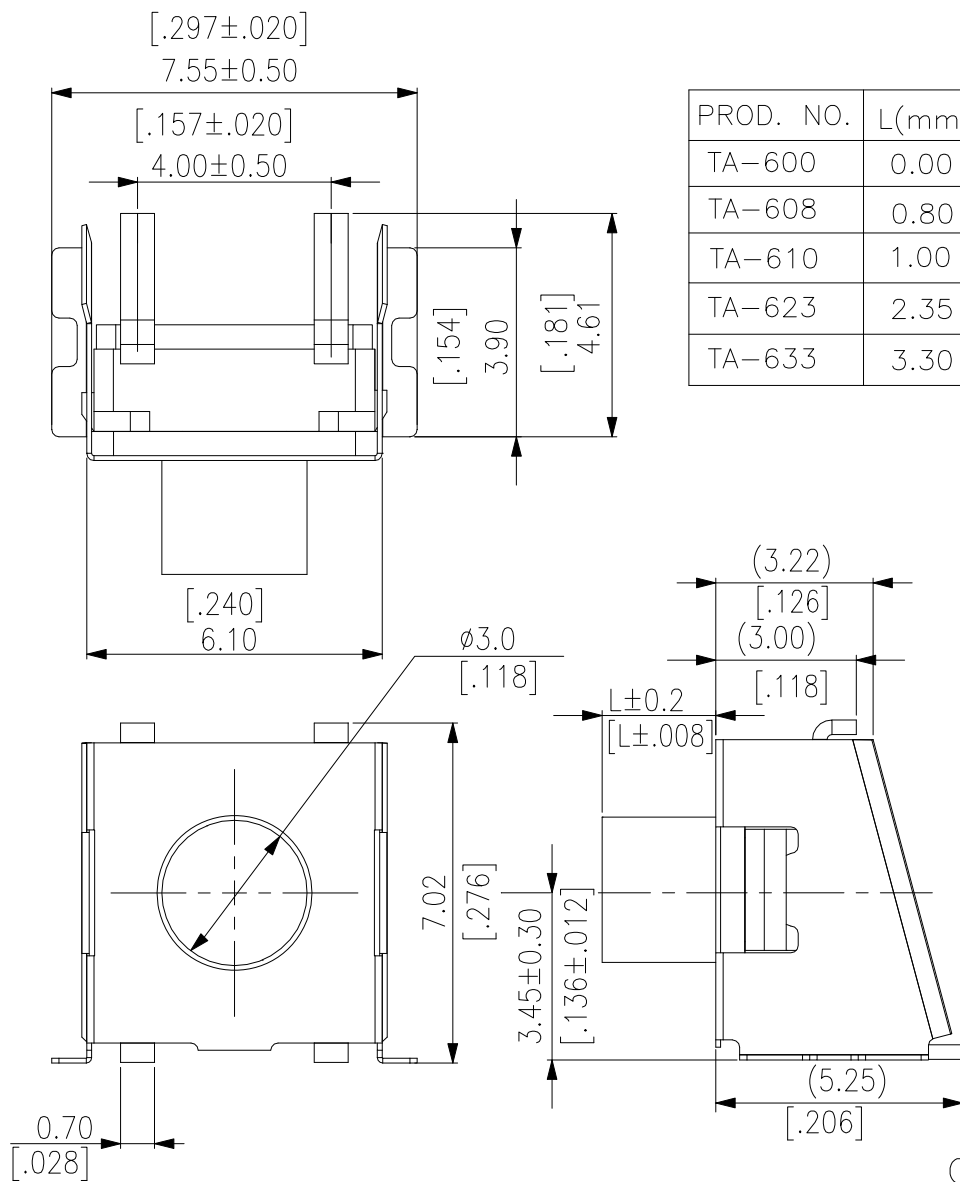


PROD. NO.	L(mm)	L(inch)
TAS-600-V	0.00	0.0000
TAS-608-V	0.80	0.0314
TAS-610-V	1.00	0.0393
TAS-623-V	2.35	0.0925
TAS-633-V	3.30	0.1299

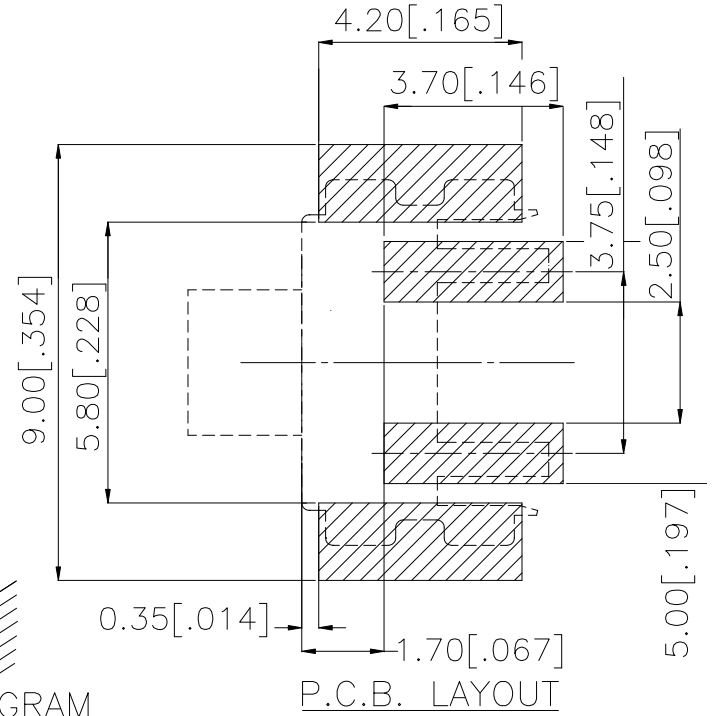
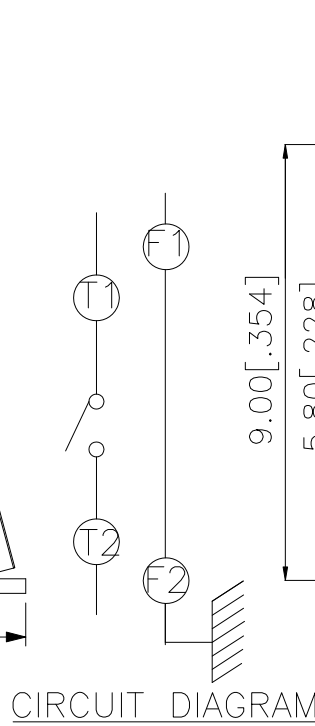
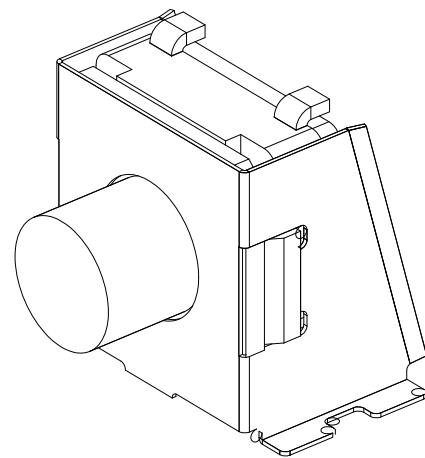


General Tolerance :  $\pm 0.2$ mm

**TA-6**



PROD. NO.	L(mm)	L(inch)
TA-600	0.00	0.0000
TA-608	0.80	0.0314
TA-610	1.00	0.0393
TA-623	2.35	0.0925
TA-633	3.30	0.1300



## HOW TO ORDER

TA  - 6    -  -

Package Style:  
T/R=Tape & Reel  
 = Bulk Pack

Soldering:  
V = Lead Free Solderable  
Q=Halogen Free

Operating Force :  
N = Brown, 180gf  
R = Red, 260gf

Stem Height :  
00 = 0 mm  
08 = 0.8 mm  
10 = 1.0 mm  
23 = 2.35 mm  
33 = 3.30mm

Prod. Series :  
S = With Support Terminal  
 = Without Support Terminal

## SPECIFICATION

### △MECHANICAL

- \*Operation Force: 260 ± 70gf (RED), 180 ± 50gf (Brown)
- \*Stop Strength: Max. 3kgf vertical static load continuously for 15 seconds.
- \*Stroke: 0.45 ± 0.2mm
- \*Operation Temperature: -25°C to +70°C
- \*Storage Temperature: -30°C to +80°C

### △ELECTRICAL

- Electrical Life: 500,000 cycles min. for 260gf, 180gf
- Rating: 50mA , 12VDC
- Contact Resistance: 100mΩ max.
- Insulation Resistance: 100MΩ min. at 500VDC
- Dielectric Strength: 250VAC/1 minute
- Contact Arrangement: 1 pole 1 throw

## MATERIAL

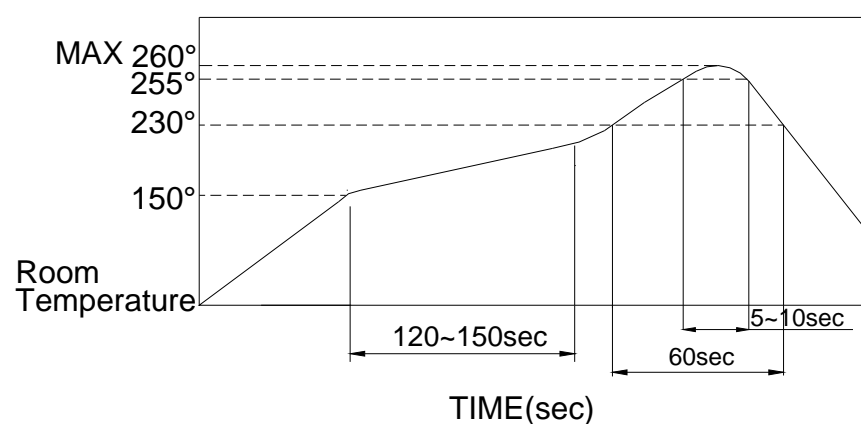
- △COVER: Nickel silver.
- △STEM: Silicone rubber (Red / Brown)
- △TERMINAL: Brass with silver plated.
- △CONTACT: Phosphor bronze with silver cladding
- △BASE : High-temp Thermoplastic
- Color: Black

## SOLDERING PROCESS

△HAND SOLDERING: Use a soldering iron of 30 watts, controlled at 350°C approximately max 5 seconds.

△SOLDERING: Vapor phase & reflow soldering can be applied.

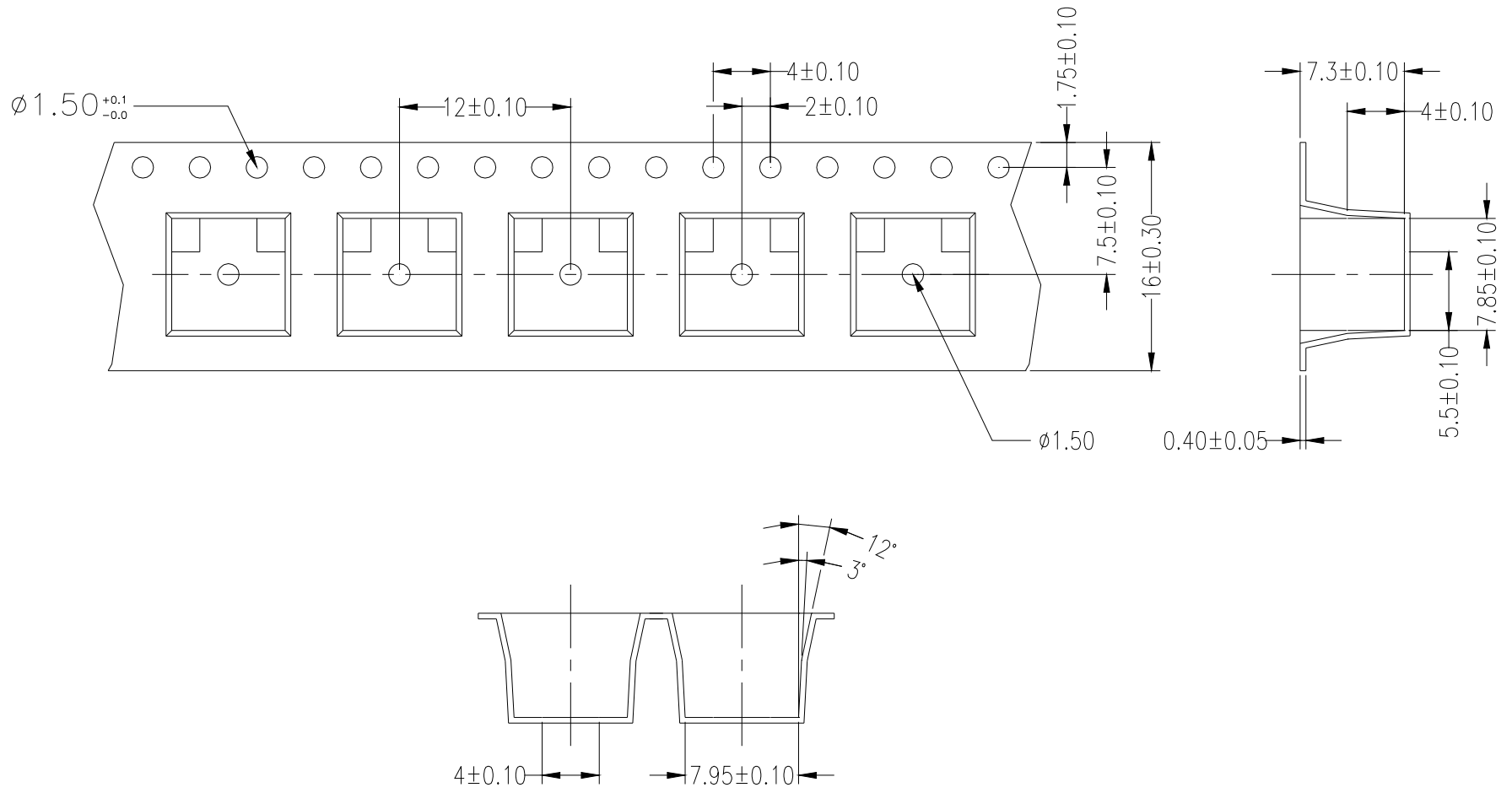
△Reflow Temperature Profile:



## PACKING

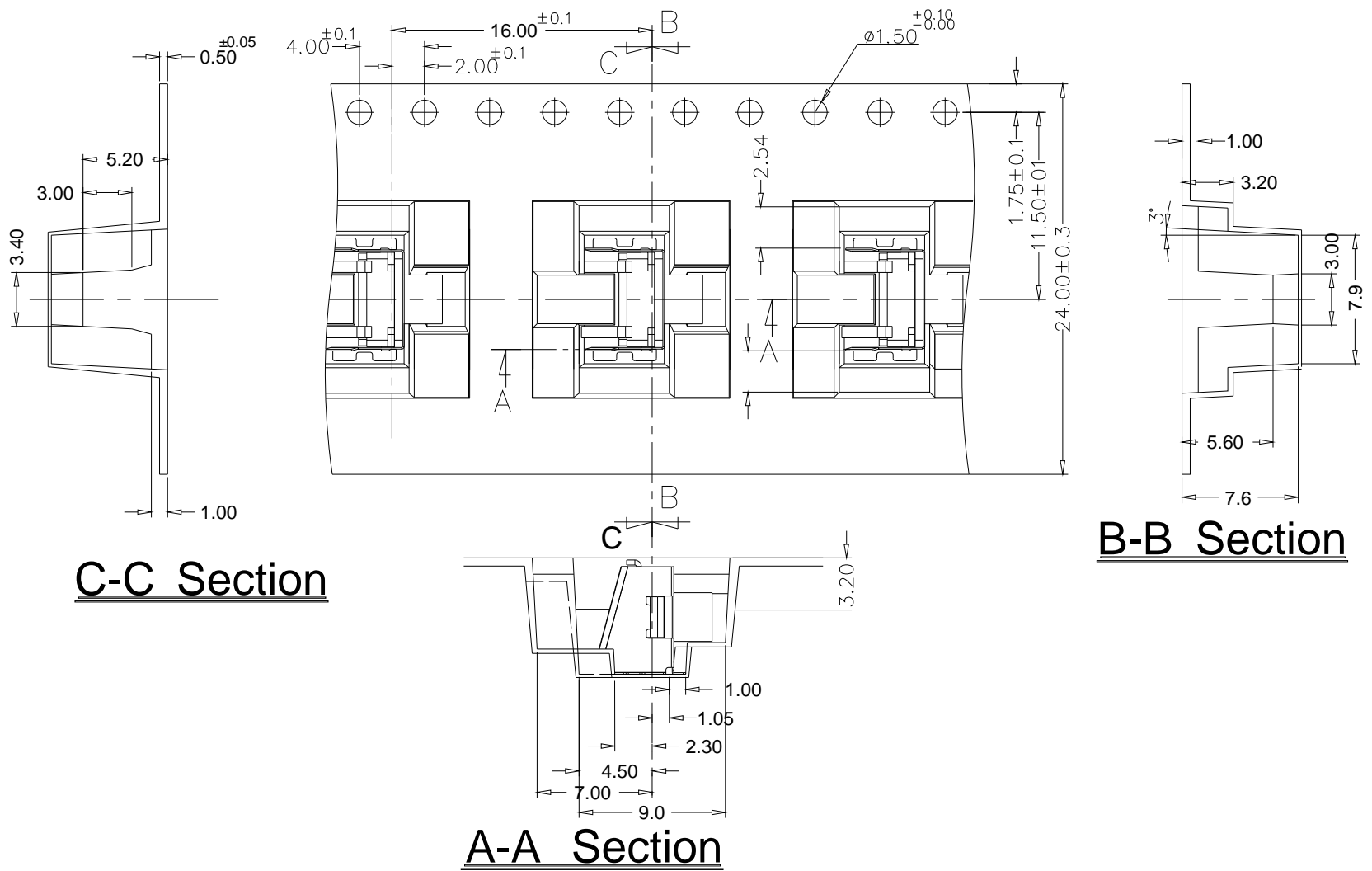
Part Number	Number Per Reel	Number Per Bag
TA(S)-600	700	500
TA(S)-608	700	500
TA(S)-610	700	500
TA(S)-623	700	500
TA(S)-633	600	500

**TA(S)-600~623 REEL**



General Tolerance :  $\pm 0.1$ mm

**TA(S)-633 REEL**



**C-C Section**

**B-B Section**

**A-A Section**

General Tolerance :  $\pm 0.1$ mm